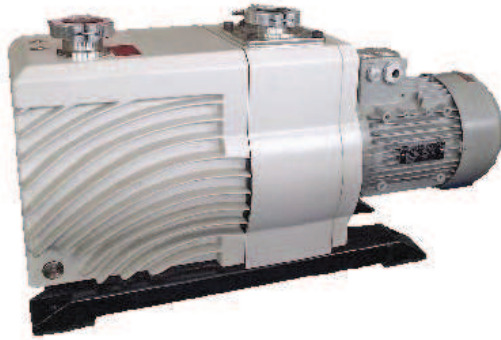
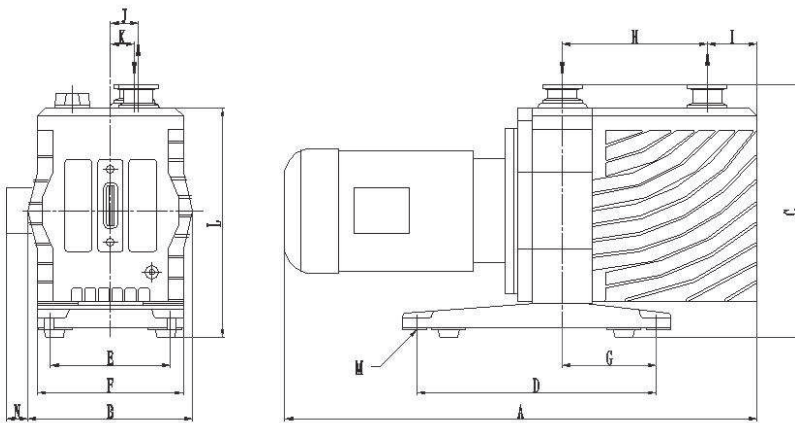
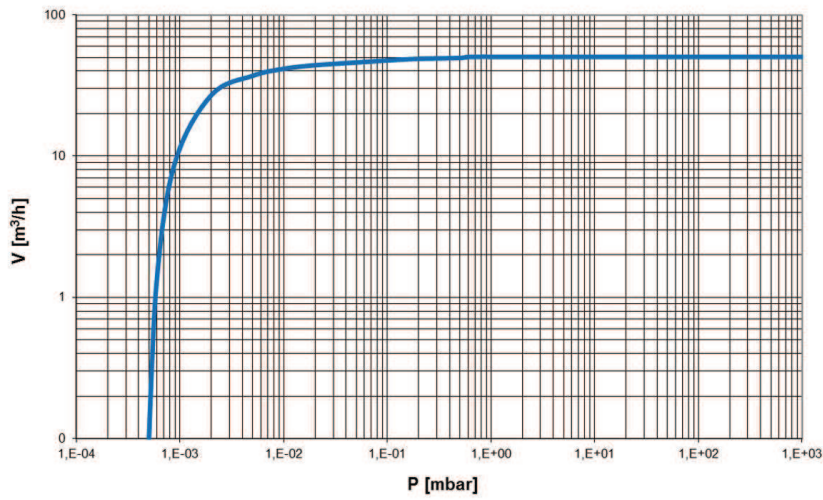


TYPE EVD-48



Pumping speed curve



| Dimensions | A | B | C | D | E | F | G | H | I | J | K | L | M | N |
|------------|-----|-----|-----|-----|-----|-----|-----|-----|----|----|----|-----|-----|----|
| EVD-48 | 680 | 250 | 335 | 485 | 155 | 215 | 290 | 235 | 80 | 28 | 45 | 310 | Ø14 | 20 |

TYPE EVD-48

| Technical Data | | TYPE EVD-48 | |
|---------------------------|-------------------|--------------------|--------------------|
| | | 50 Hz | 60 Hz |
| Nominal displacement | m ³ /h | 50 | 60 |
| Ultimate partial pressure | mbar | 10 ⁻⁴ | 10 ⁻⁴ |
| Ultimate total pressure | mbar | 4x10 ⁻³ | 4x10 ⁻³ |
| Motor power | kW | 1,5 | 1,5 |
| Nominal speed | rpm | 1450 | 1750 |
| Water vapor tolerance | mbar | 50 | 50 |
| Noise level | dB | 56 | 58 |
| Oil capacity | ltr | 3,8 | 3,8 |
| Weight | kg | 64 | 64 |
| Admissible ambient temp. | °C | 10 to 40 | 10 to 40 |
| Connection | Inlet | DIN 40 KF | 40 KF |
| | Outlet | DIN 40 KF | 40 KF |

| Ordering Information | TYPE EVD-48 |
|--|--------------|
| Single phase motor | |
| 230V, 50/60Hz | 424901 |
| 110V, 50/60Hz | 424903 |
| Three phase motor | |
| 400V, 50Hz / 460V, 60Hz | 424902 |
| Other Voltages/Frequencies | Upon request |
| Filling with special oil | Upon request |
| Exhaust oil mist filter EF-40A | 424910A |
| Replacement cartridge for EF-40A | 424916A |
| Seal kit | 424911 |
| Overhaul kit | 424912 |
| Inlet dust filter, polyester cartridge | 778040 |
| Inlet dust filter, Activated Alumina | 778041 |
| EV-Highvacuum Oil-60 | |
| 1 ltr can | 100400 |
| 5 ltr can | 100402 |
| 20 ltr can | 100403 |